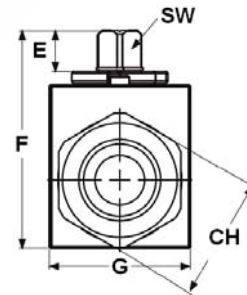
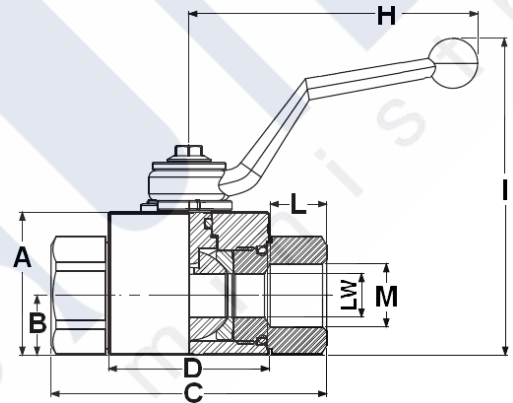
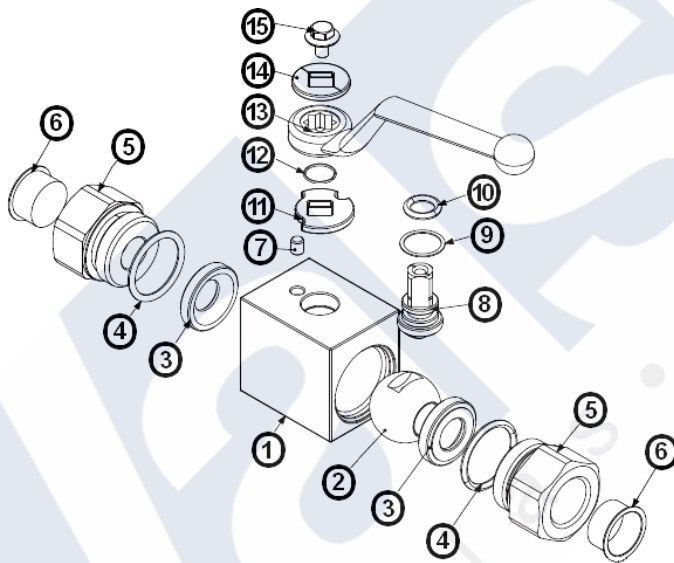
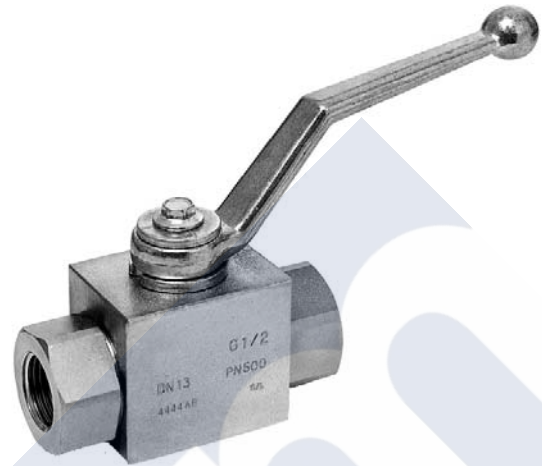


## VÁLVULA DE BOLA MONOBLOC ROSCADA

Presión de servicio: 500 Bar  
Temperatura de servicio: -10 +100°C

### Materiales

| Pos | Descripción  | Material                             |
|-----|--------------|--------------------------------------|
| 1   | Cuerpo       | A <sup>o</sup> C <sup>o</sup> 1.0737 |
| 2   | Bola         | A <sup>o</sup> C <sup>o</sup> 1.0737 |
| 3   | Asiento      | POM                                  |
| 4   | Junta tórica | NBR                                  |
| 5   | Casquillo    | A <sup>o</sup> C <sup>o</sup> 1.0737 |
| 6   | Tapa         | PVC                                  |
| 7   | Tope         | A <sup>o</sup> C <sup>o</sup> 1.0737 |
| 8   | Eje          | A <sup>o</sup> C <sup>o</sup> 1.0737 |
| 9   | Junta        | POM                                  |
| 10  | Junta tórica | NBR                                  |
| 11  | Arandela     | A <sup>o</sup> C <sup>o</sup> 1.0116 |
| 12  | Anilla       | 1.4301                               |
| 13  | Palanca      | CINC                                 |
| 14  | Arandela     | 1.0116                               |
| 15  | Tornillo     | DIN-6921 8.8                         |



| M      | DN | A  | B    | C   | D    | E  | F     | G  | H   | I     | L    | CH | SW | LW | Kgs.  |
|--------|----|----|------|-----|------|----|-------|----|-----|-------|------|----|----|----|-------|
| 1/8"   | 4  | 35 | 14.5 | 71  | 42.4 | 11 | 49    | 30 | 110 | 91.5  | 11   | 24 | 9  | 4  | 0.512 |
| 1/4"   | 6  | 35 | 14.5 | 71  | 42.4 | 11 | 49    | 30 | 110 | 91.5  | 15.5 | 24 | 9  | 6  | 0.497 |
| 3/8"   | 10 | 40 | 17.4 | 73  | 44.4 | 11 | 54.25 | 35 | 110 | 96.5  | 15.5 | 30 | 9  | 10 | 0.652 |
| 1/2"   | 13 | 43 | 18   | 83  | 48.4 | 11 | 57    | 37 | 110 | 99.5  | 17   | 32 | 9  | 13 | 0.770 |
| 3/4"   | 20 | 55 | 23.4 | 95  | 62.5 | 14 | 73.5  | 45 | 180 | 106.5 | 21   | 41 | 14 | 20 | 1.460 |
| 1"     | 25 | 65 | 29.5 | 112 | 66.5 | 14 | 83.5  | 55 | 180 | 116.5 | 24   | 50 | 14 | 25 | 2.230 |
| 1 1/4" | 25 | 65 | 29.5 | 120 | 66.5 | 14 | 83.5  | 55 | 180 | 116.5 | 24   | 55 | 14 | 25 | 2.299 |
| 1 1/2" | 25 | 65 | 29.5 | 124 | 66.5 | 14 | 83.5  | 55 | 180 | 116.5 | 24   | 30 | 14 | 25 | 2.413 |