

VALVULA DE BOLA WAFER INOXIDABLE

Material: Acero inoxidable CF8M/SS CF8M
Paso total/Full Bore
Bridas con agujeros roscados/Threaded hole flanges
Dispositivo de bloqueo de DN-25 a DN-100
 Locking device DN-25 to DN-100
Medidas/Size: DN-15 a DN-150
Temperatura/Temperature: -20 + 180°C
Presión max./Max. Pressure: 16 Bar
Placa de montaje/Mounting pad: ISO5211
Asientos/Seats: PTFE con fibra de vidrio
 PTFE with glassfiber

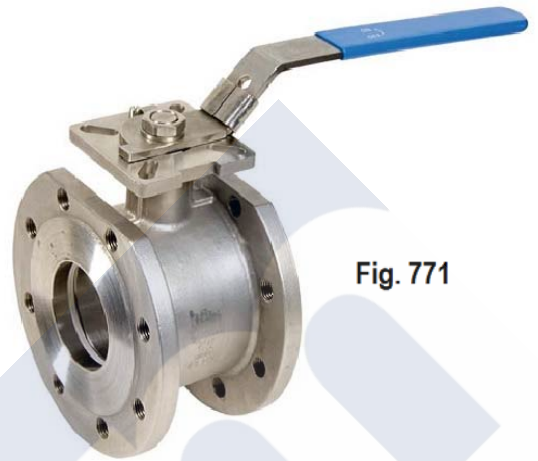
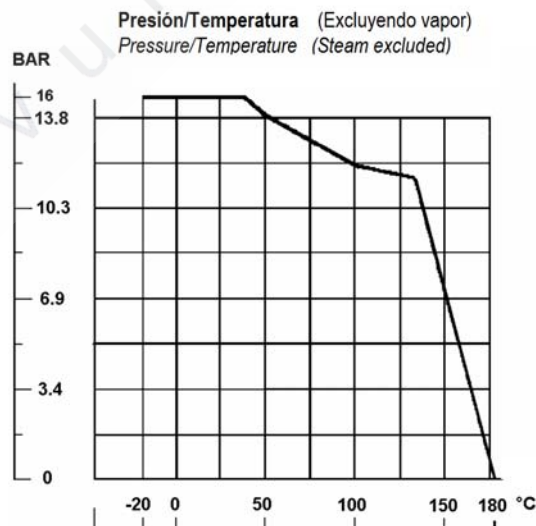
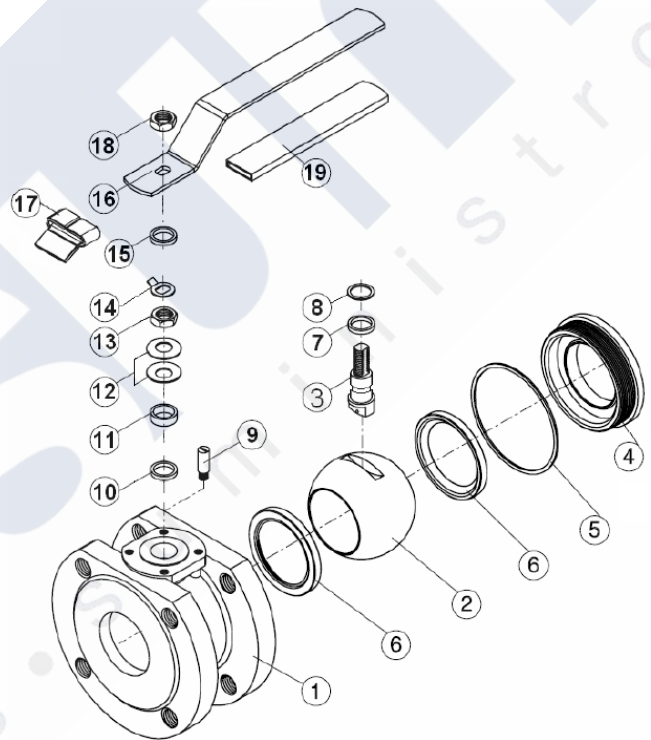
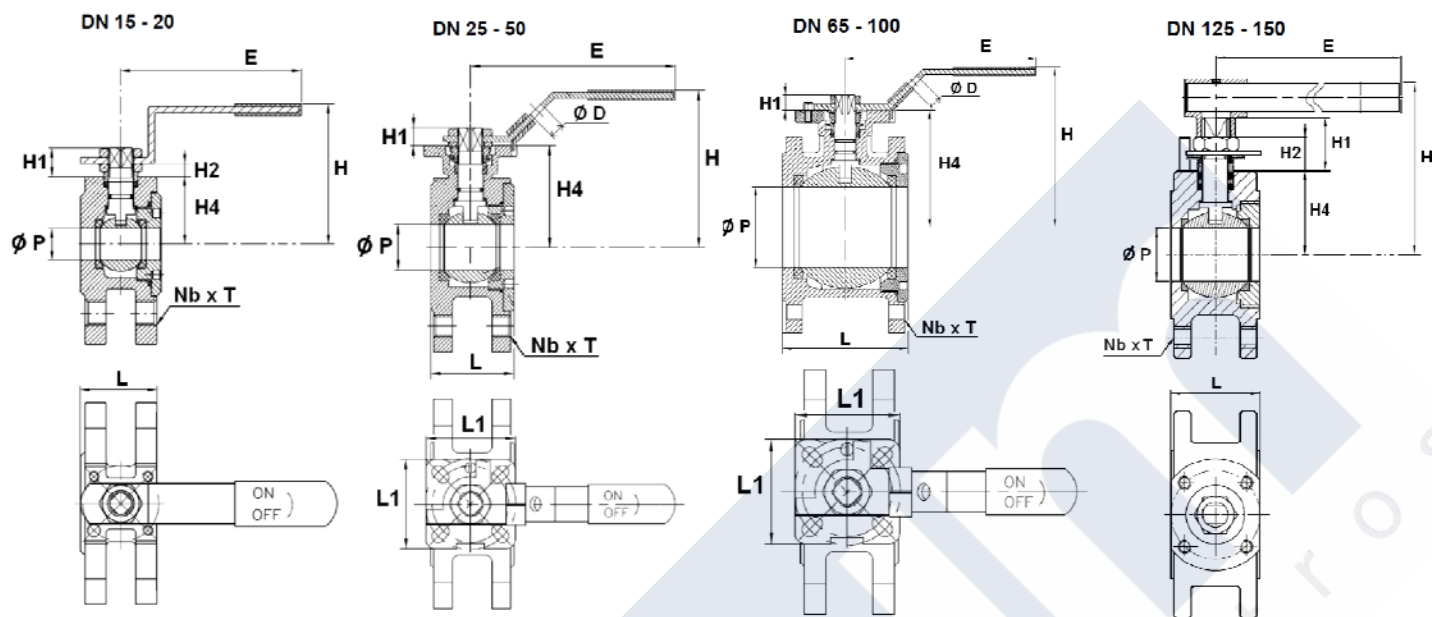


Fig. 771

Item	Designation	Materials 771
1	Body	ASTM A351 CF8M
2	Ball	ASTM A351 CF8M
3	Stem	SS 304
4	Insert	ASTM A351 CF8M
5*	Body seal	PTFE
6*	Seat	PTFE + 15% glass
7*	Thrust washer	PTFE
8*	O ring	FKM
9	Stop pin	SS 304
10*	Packing	PTFE
11	Gland	SS 304
12	Elastic ring	SS 301
13	Gland nut	SS 304
14	Tab washer	SS 304
15	Washer	SS 304
16	Handle	SS 304
17	Locking device	SS 304
18	Handle nut	SS 304
19	Handle cover	Plastic





DN	15	20	25	32	40	50
Ø P	15	20	25	32	38	50
L	35	39	44	52	64	83
L1	-	-	49	49	65	65
E	125.2	125.2	136.2	136.2	204.5	204.5
H	75	80	95	101.5	122.5	121.5
H1	13.5	13.5	12	10	13.5	14
H2	6	6	-	-	-	-
H4	32	35.5	65	71.5	85	83.5
Ø D	-	-	8	8	8	8
Nb x T	4 x M12	4 x M12	4 x M16	4 x M16	4 x M16	4 x M16
Weight (Kg)	1.1	1.41	1.82	3	4.3	5.9

DN	65	80	100	125	150
Ø P	65	76	94	118	138
L	100	118	152	179	202
L1	94	94	94	-	-
E	250	250	320	400	600
H	142	161	174	205	220
H1	18	18	20.5	50	50
H2	-	-	-	31	31
H4	101	120	130	117	130
Ø D	10	10	10	-	-
Nb x T	4 x M16	8 x M16	8 x M16	8 x M16	8 x M20
Weight (Kg)	9	12.5	19.4	30	41